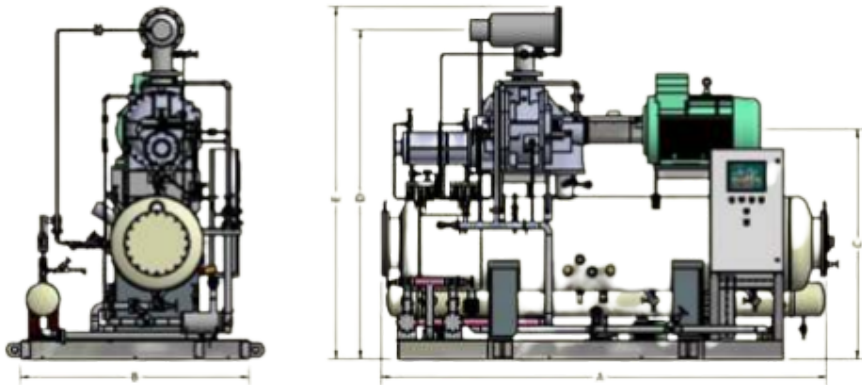


SPECIFICATIONS

Models	High Stage (50 Hz.)				High Stage (60 Hz.)				Low Stage (Booster) 50 Hz				Low Stage (Booster) 60 Hz						
	CMH	Kw	BKw	BKw/Kw	Models	CMH	Kw	BKw	BKw/Kw	Models	CMH	Kw	BKw	BKw/Kw	Models	CMH	Kw	BKw	BKw/Kw
	@ -5°C SST & 40 SDT				@ -5°C SST & 40 SDT				@ -40°C SST & -5 SDT				@ -40°C SST & -5 SDT						
MBM 255	433	336.2	87.4	0.91	MBM 255	521	404.5	105.2	0.91	MBM 255B	433	86	23.1	0.94	MBM 255B	433	103.5	27.8	0.94
MBM 255E	433	373.2	90	0.86	MBM 255E	521	449.1	109.6	0.86						MBM 305B	518	101.4	27.2	0.94
MBM 305	518	395.5	102.9	0.91	MBM 305	624	475.9	123.8	0.91	MBM 305B	518	101.4	27.2	0.94	MBM 305B	518	122.1	32.7	0.94
MBM 305E	518	439	107.1	0.86	MBM 305E	624	528.3	129	0.86										
MBM 384	652	497.7	129.5	0.91	MBM 384	78	599.1	155.9	0.91	MBM 384B	652	127.7	34.3	0.94	MBM 384B	652	153.7	41.3	0.94
MBM 384E	652	552.4	134.9	0.86	MBM 384E	785	664.9	162.3	0.86										
MBM 517	878	666.2	165.7	0.87	MBM 517	1057	802.1	199.5	0.87	MBM 517B	878	171.3	43.6	0.89	MBM 517B	878	206.7	52.5	0.89
MBM 517E	878	739.5	172.6	0.82	MBM 517E	1057	889.9	207.7	0.82										
MBM 689	1171	888.7	221	0.87	MBM 689	1409	1069.4	266	0.87	MBM 689B	1171	228.5	58.1	0.89	MBM 689B	1171	274.8	70	0.89
MBM 689E	1171	985.9	228.6	0.82	MBM 689E	1409	1186.6	276.9	0.82										
MBM 890	1512	1200	288.8	0.85	MBM 890	1820	1444.3	347.6	0.85	MBM 890B	1512	304.6	75.3	0.87	MBM 890B	1512	366.7	90.7	0.87
MBM 890E	1512	1331.6	300.8	0.79	MBM 890E	1820	1602.7	362	0.79										
MBM 1120	1903	1511	363.4	0.85	MBM 1120	2290	1818.7	437.8	0.85	MBM 1120B	1903	383.6	94.9	0.87	MBM 1120B	1903	461.9	114.2	0.87
MBM 1120E	1903	1677	378.8	0.79	MBM 1120E	2290	2018.3	455.9	0.79										
MBM 1384	2351	1867.6	449.5	0.85	MBM 1384	2830	2247.4	541	0.85	MBM 1384B	2351	474.3	117.3	0.87	MBM 1384B	2351	570.8	141.2	0.87
MBM 1384E	2351	2072.5	468.1	0.79	MBM 1384E	2830	2494.1	563.3	0.79										
MBM 1600	2718	2150.6	518.1	0.85	MBM 1600	3271	2588	623.4	0.85	MBM 1600B	2718	546.2	135.1	0.87	MBM 1600B	2718	657.4	162.5	0.87
MBM 1600E	2718	2328.3	539	0.81	MBM 1600E	3271	2801.8	648.7	0.81										
MBM 2000	3398	2708.2	652.4	0.85	MBM 2000	4089	3258.9	785.1	0.85	MBM 2000B	3398	687.7	170.1	0.87	MBM 2000B	3398	827.6	204.7	0.87
MBM 2000E	3398	2932	678.8	0.81	MBM 2000E	4089	3528.4	816.9	0.81										

- Notes :** a) Allow 48 inch / 122 Cm free Space required on motor end to pull out Coalescer element.
b) Dimension and Performance Data given is for Ammonia Units Only. For other refrigerants pl use FISCom Software or Contact Factory.
c) All Specifications are subject to Change without Notice

DIMENSIONS



DIMENSIONS (mm) & Weight (Kgs.)						
MODEL	A	B	C	D	E	WT.
MBM-255	3060	1650	1465	2175	2330	2208
MBM-305	3060	1650	1465	2175	2330	2219
MBM-384	3060	1650	1465	2175	2330	2350
MBM-517	3555	1800	1610	2320	2475	2716
MBM-689	3610	1800	1610	2320	2475	2850
MBM-890	3610	1850	1850	2660	2850	4900
MBM-1120	3610	1850	1850	2660	2850	5100
MBM-1384	3610	1850	1850	2660	2850	6350
MBM-1600	3933	1950	2070	2967	3180	6700
MBM-2000	4272	2036	2253	3160	3370	6890